

**1. RF MMIC Innovator**[www.berex.com](http://www.berex.com)

Classification: Application Note

Document Number: 18C\_80902

Revision code: 0.2

**Wide Band Gain Block BG18C****Application Note**

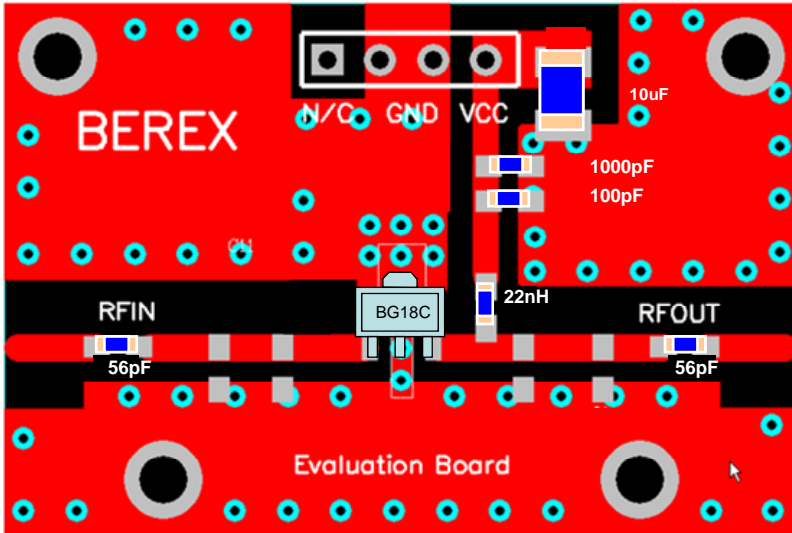
**Contents**

RF MMIC INNOVATOR [WWW.BEREX.COM](http://WWW.BEREX.COM)..... 1

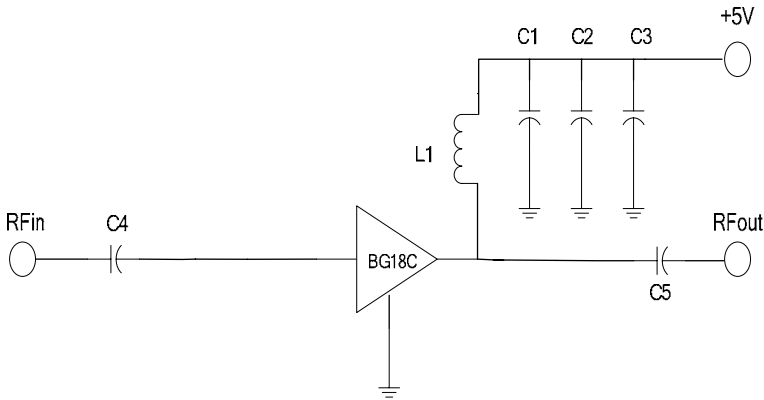
1. BG18C APPLICATION.....3

2. BG18C TEST RESULT.....4

1. BG18C 2100MHz Application Note



Ref. Des.	Description/ Part Number	Values	Vendor
C1	0603 CAP	100uF	Samsung
C2	604 CAP	1000pF	Samsung
C3	A3216 CAP	10uF	AVX
C4	0603 CAP	56pF	Samsung
C5	0603 CAP	56pF	Samsung
C6	0603 CAP	NA	
C7	0603 CAP	NA	
C8	0603 CAP	NA	
C9	0603 CAP	NA	
C10	0603 CAP	NA	
C11	0603 CAP	NA	
C12	0603 CAP	NA	
L1	0603 IND	22nH	Ceratech
L2	0603 IND	NA	
L3	0603 IND	NA	
R1	0603 RES	NA	
U1	SOT89 PKG	BG18C	BEREX



Note:

1. PCB: 31mil thick FR4

TITLE	
BG18C Evaluation Board	
(2100 MHz)	
Drawing Number	Rev.
Date	Drawn By
FILE NAME	SHEET

## 2. BG18C 2100MHz Test Result

SN	Freq [MHz]	Vcc [V]	Icc [mA]	Gain [dB]	OIP3 [dBm] <sup>(1)</sup>	P1dB [dBm]	IRL [dB]	ORL [dB]
	2100	5	72	20.69	30.5	18.4	-19.7	-20.0

(1) OIP3 was tested @Pout=7dBm/tone 1MHz offset

