

1. RF MMIC Innovator

[www.berex.com](http://www.berex.com)

Classification: Application Note

Document Number: 18D\_80902

Revision code: 0.2

## Wide Band Gain Block **BG18D**

### Application Note



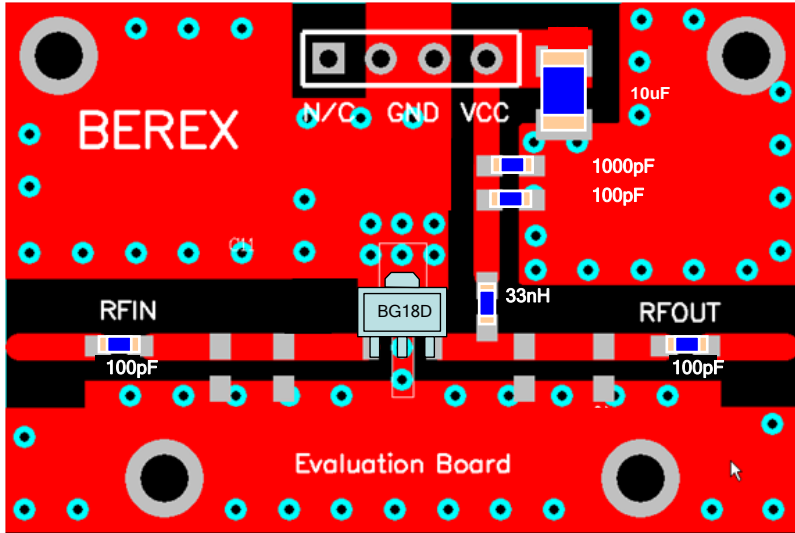
**Contents**

RF MMIC INNOVATOR [WWW.BEREX.COM](http://WWW.BEREX.COM) ..... 1

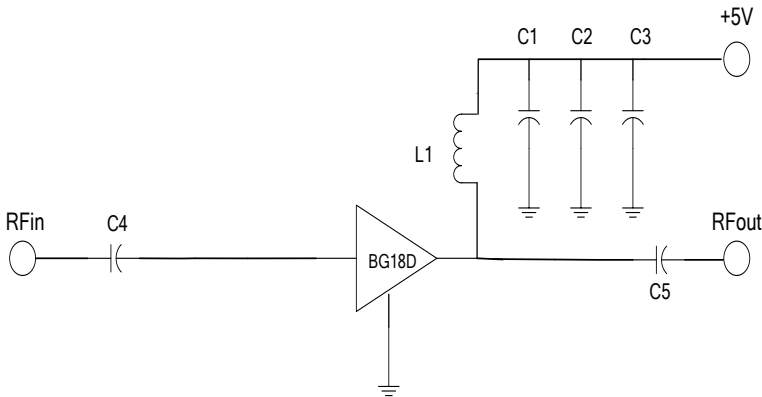
1. BG18D APPLICATION ..... 3

2. BG18D TEST RESULT ..... 4

1. BG18D 900~1900MHz Application Note



Ref. Des.	Description/ Part Number	Values	Vendor
C1	0603 CAP	100uF	Samsung
C2	604 CAP	1000pF	Samsung
C3	A3216 CAP	10uF	AVX
C4	0603 CAP	100pF	Samsung
C5	0603 CAP	100pF	Samsung
C6	0603 CAP	NA	
C7	0603 CAP	NA	
C8	0603 CAP	NA	
C9	0603 CAP	NA	
C10	0603 CAP	NA	
C11	0603 CAP	NA	
C12	0603 CAP	NA	
L1	0603 IND	33nH	Ceratech
L2	0603 IND	NA	
L3	0603 IND	NA	
R1	0603 RES	NA	
U1	SOT89 PKG	BG18D	BEREX



Note:

1. PCB: 31mil thick FR4

TITLE	
BG18D Evaluation Board	
(RF Band)	
Drawing Number	Rev.
Date	Drawn By
FILE NAME	SHEET

## 2. BG18D RF Band Test Result

SN	Freq [MHz]	Vcc [V]	Icc [mA]	Gain [dB]	OIP3 [dBm] <sup>(1)</sup>	P1dB [dBm]	IRL [dB]	ORL [dB]
	900	5	84	24.7	35.5	19.6	-18.5	-24.2
	1900	5	84	23.0	33.1	19.1	-24.1	-43

(1) OIP3 was tested @Pout=7dBm/tone 1MHz offset

