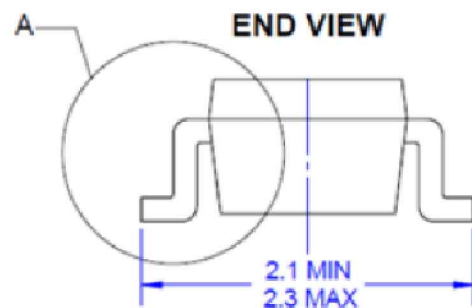
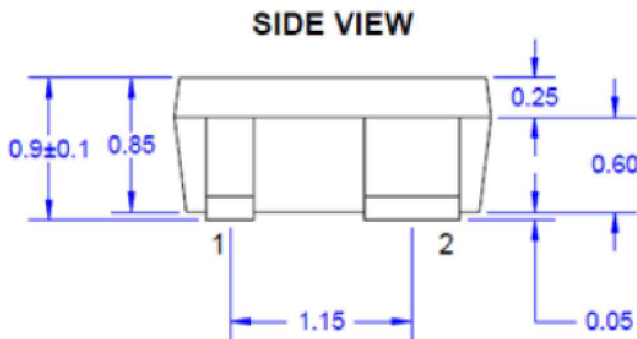
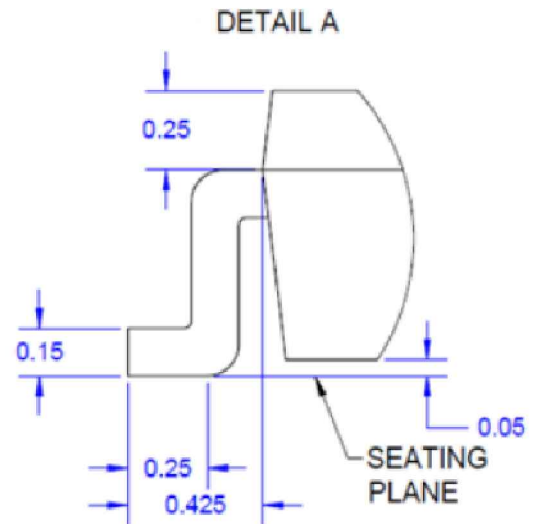
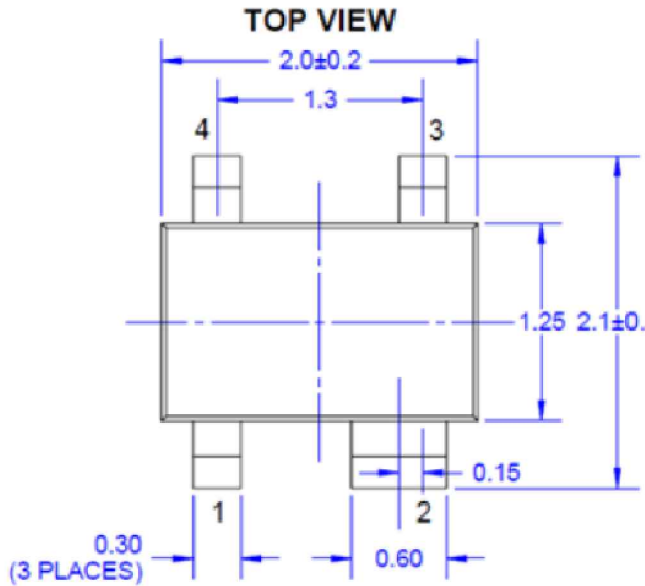


Package Outline Drawing



(Unit. mm)

Package Size: 2.00x1.25x0.90mm
 PIN Pitch: 1.30x1.15mm
 Number of Pad: 4

Remarks:
 Date: 2024/02/02
 Title: SOT-343
 Version: Rev2.0

BeRex Confidential

