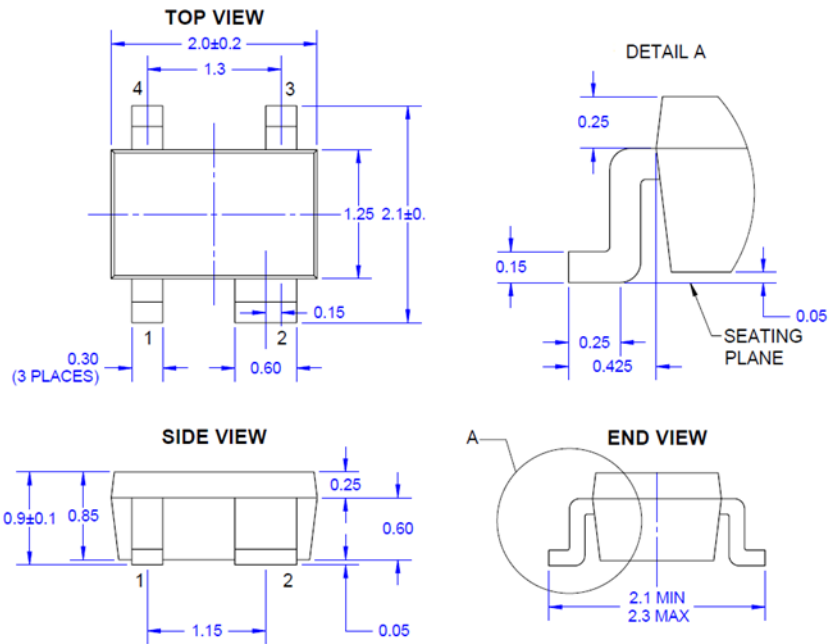
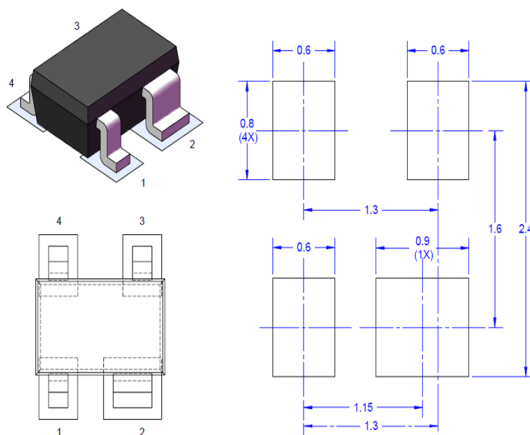


SOT-343 Package Outline Dimension (Unit. mm)



Suggested PCB Land Pattern and PAD Layout

PCB Land Pattern



PCB Mounting

