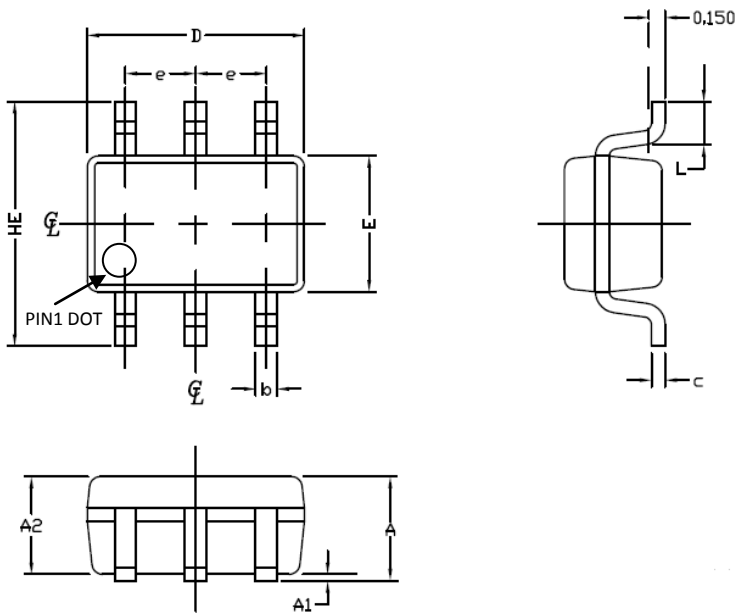


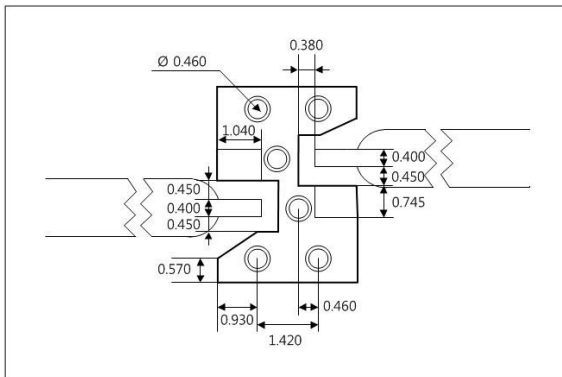
# SOT-363 Outline Dimensions

## Package Outline Dimension (Unit. mm )



SYMBOL	MIN	MAX
E	1.15	1.35
D	1.85	2.25
HE	2.00	2.30
A	0.80	1.00
A2	0.80	0.91
A1	0.00	0.09
e	0.65	BSC
b	0.15	0.30
c	0.08	0.25
L	0.21	0.41

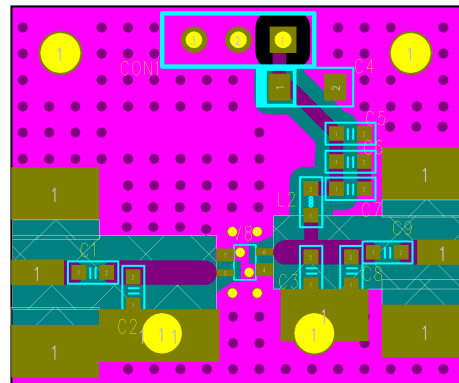
### PCB Land Pattern



Note : All dimension \_ millimeters

PCB lay out \_ on BeRex website

### PCB Mounting



### Pin Description

Pin Description	
RF IN	3
RF OUT	6
GND	1,2,4,5